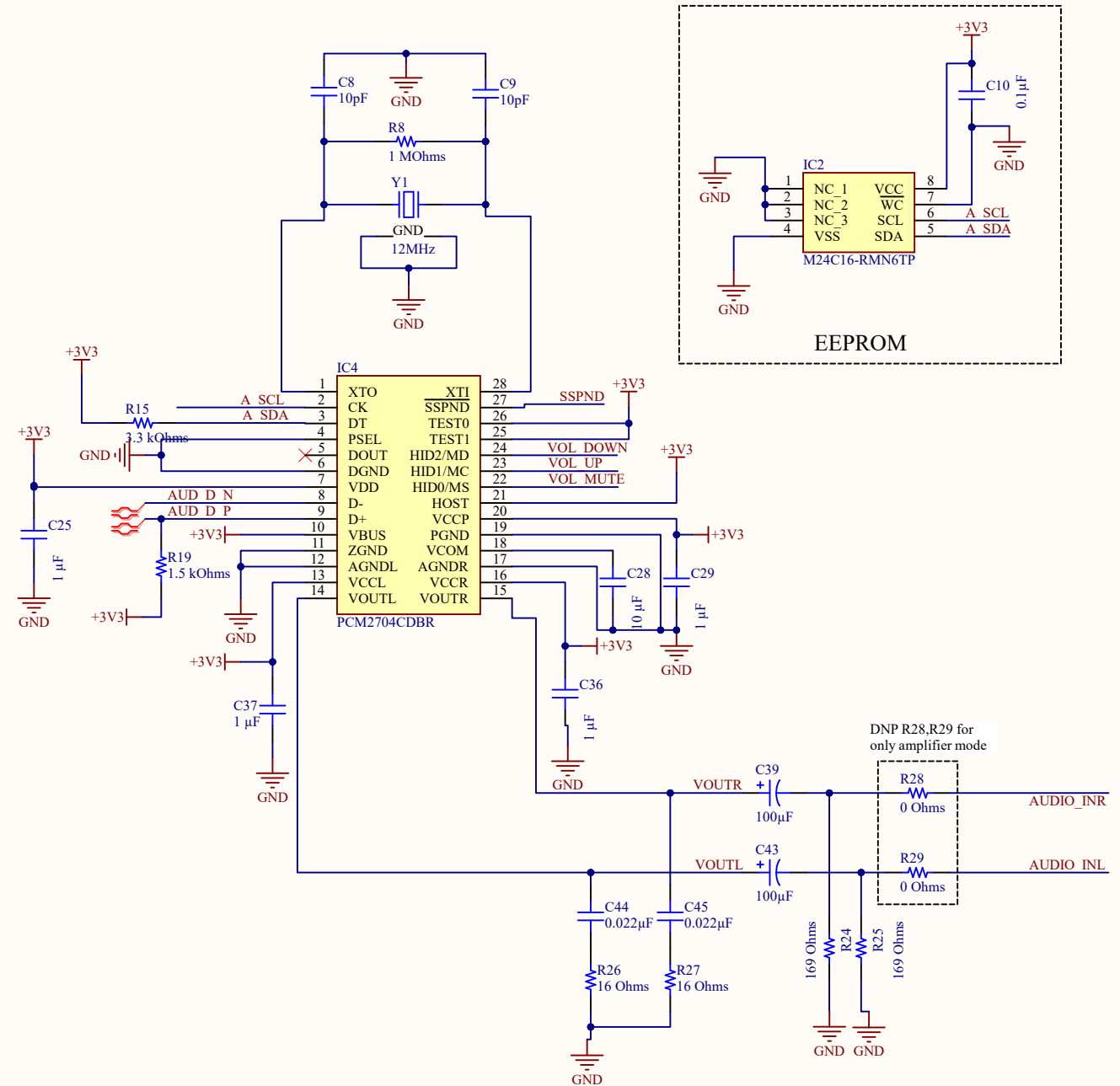
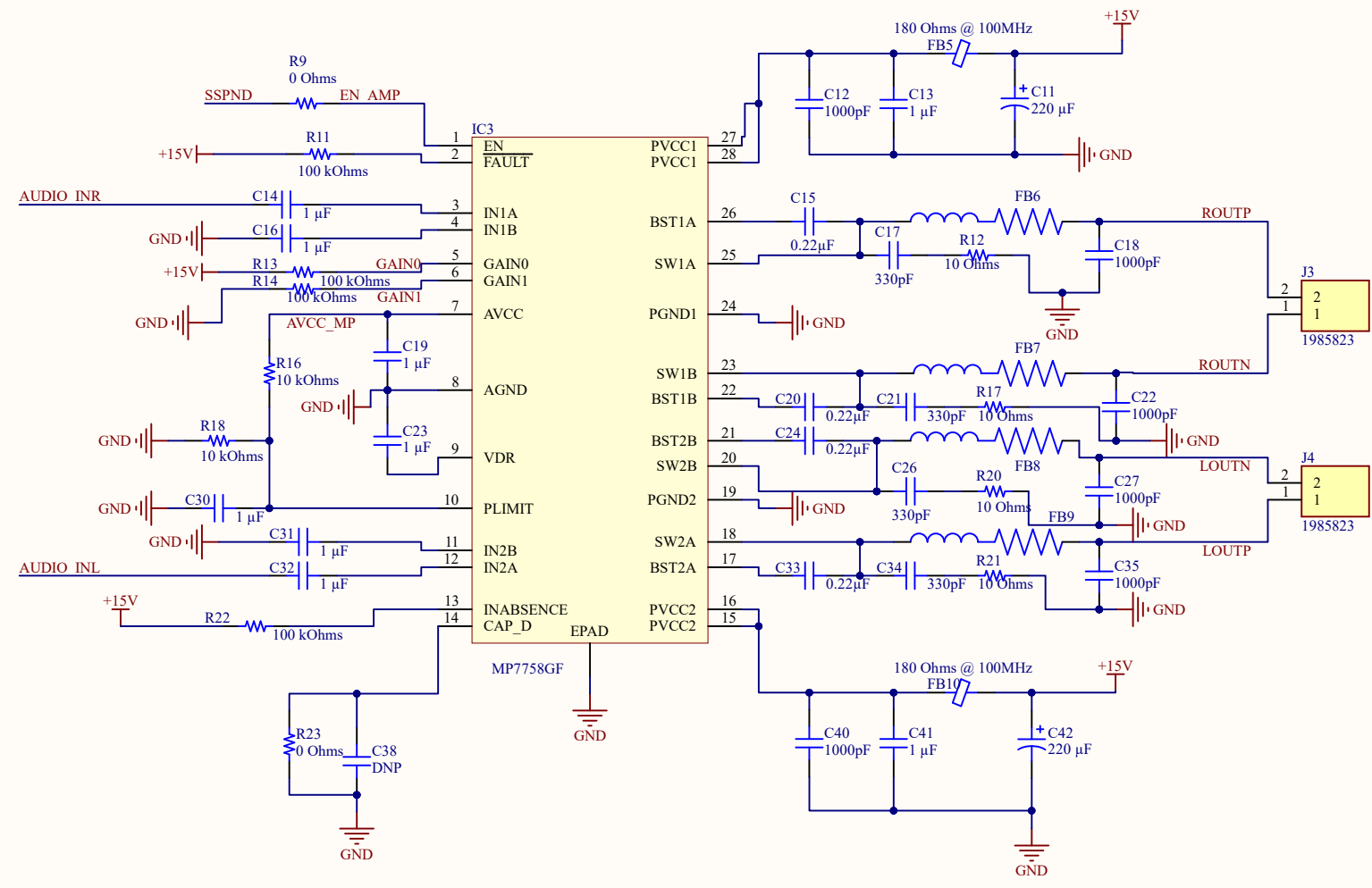


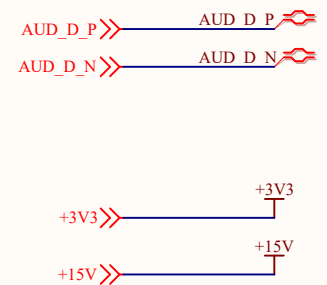
| | | | |
|-------|---------------------------|-------------------------|---------------------|
| Title | | | USB AUDIO AMPLIFIER |
| Size | Number | Revision | |
| B | | V1.1 | |
| Date: | 4/19/2023 | Sheet of 1 of 2 | |
| File: | E:\CENTREXU.\Power.SchDoc | Drawn By: Nikhil Kakade | |



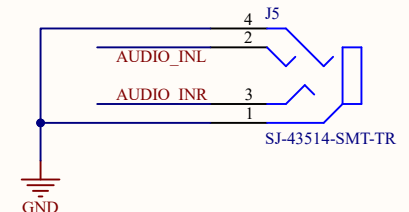
USB AUDIO DAC



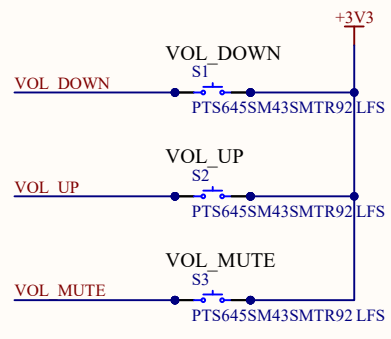
AUDIO AMPLIFIER



OFF-SHEET CONNECTION



3.5MM AUDIO CONNECTOR



VOLUME BUTTONS

| | | | | | |
|---------|------------------------|-------------------------|---------------------|--|------|
| Title | | | USB AUDIO AMPLIFIER | | |
| Size | Number | | Revision | | V1.1 |
| Tabloid | | | | | |
| Date: | 4/19/2023 | Sheet of 2 of 2 | | | |
| File: | E:\CEMTRX\Audio.SchDoc | Drawn By: Nikhil Kakade | | | |